



## EVE CONTROL UNIT

**AUTOMATION  
CONTROL UNIT**

Mod. **EVE Base** (ECUB1)

Mod. **EVE Plus** (ECUP1)



**TRANSLATION OF THE  
ORIGINAL INSTRUCTIONS**



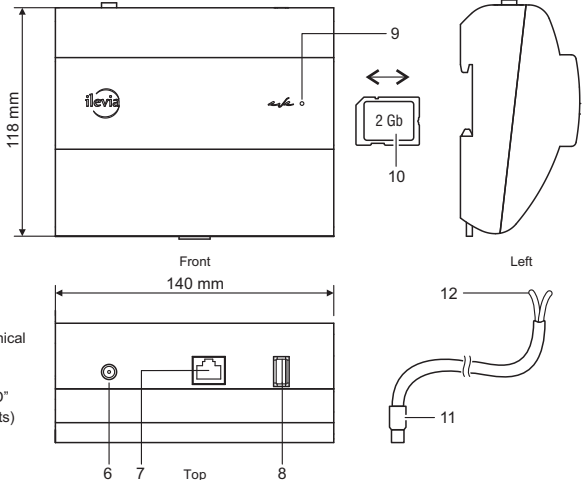
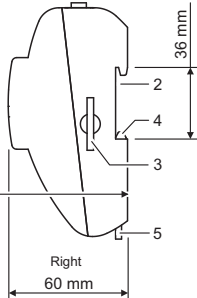
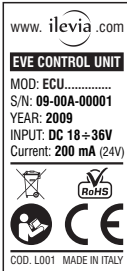
Code	Issue	Revision
M00001	01.01.2010	00



BEFORE USING THE UNIT, USER MUST READ AND FULLY UNDERSTAND THIS MANUAL. IT IS AN INTEGRAL PART OF THE UNIT AND MUST BE KEPT FOR FUTURE REFERENCE UNTIL THE DISPOSAL OF THE UNIT. THIS MANUAL REFLECTS THE STATE OF THE ART AT THE MOMENT OF MARKETING OF THE UNIT AND CANNOT BE CONSIDERED A POOR ONE BECAUSE ON THE BASIS OF NEW EXPERIENCES IT CAN BE UPDATED. MANUFACTURER SHALL NOT BE LIABLE FOR INJURIES TO PERSONS AND ANIMALS AND DAMAGES TO PROPERTIES DUE TO FAILURE OF FOLLOWING THE INSTRUCTIONS AND WARNINGS HERE CONTAINED.



INSTALLATION AND CONFIGURATION OF THE UNIT MUST BE EFFECTED BY QUALIFIED PERSONEL ONLY (WITH TECHNICAL AND PROFESSIONAL REQUIREMENTS PROVIDED BY LAW) ADHERING TO INSTRUCTIONS AND WARNINGS HEREIN DESCRIBED. MANUFACTURER SHALL NOT BE LIABLE FOR FAILURES AND MISOPERATION OF THE UNIT DUE TO A WRONG ELECTRICAL WIRING OR OVERVOLTAGES (PLEASE REFER TO SPECIFICATIONS).



### LEGEND:

- 1) Specs plate and CE mark
- 2) Mounting guide (EN 50022)
- 3) Flash memory port "SD CARD"
- 4) Mounting guide lock
- 5) Locking button
- 6) Socket
- 7) Ethernet Port 10/100/1000 bps
- 8) USB connection (For technical assistance only)
- 9) Green LED "power on"
- 10) Flash Memory "SD CARD"
- 11) Power Supply cable (2 mts)
- 12) Connecting cables

### SPECIFICATIONS

Power supply	DC 18+36 V	Remote controls	Max. 100 remote controls
Current (e.g.: 24 V)	200 mA	Operative room temperature	5 °C + 55 °C
Weight	1 kg	RH (Relative Humidity)	5% + 95% without moisture
Expansion	Max. 8 units	Housing	Aluminium

### COMPATIBLE COMMUNICATING LANGUAGES

EIB/KNX®	Bticino® (1Q 2010)	iPhone®, iPhone 3G®, iPhone 3GS®, iPod Touch®
Vimar® (1Q 2010)	ModBus® (1Q 2010)	MAC OS X® - Windows XP® / VISTA®
Symbian OS®	Windows Mobile / CE®	ILEVIA EVE CONTROLLER®

### INTENDED USE

This unit is a automation control unit designed and produced exclusively for supervising and control of automation devices installed in residence, office, industrial facilities and boats.

### USE RESTRICTION

The use of the unit for purposes different from those described by the manufacturer is strictly prohibited. Any wrong uses reasonably understandable is prohibited (e.g.: Industrial automation control or different handling, capable of injuring persons and animals and damaging properties, error signals, danger and/or alarm signals).

### INSTALLATION

The unit must be installed indoor with good environmental conditions for its use (ref to Specifications), and preferably included in a switchboard. Mounting must be effected, through the appropriate guide (Ref.2), on a mounting bar EN 50022 fixed in advance on the

switchboard respecting the manufacturer's instructions. The unit can be fixed as follows:

- 1) Push the locking button on the unit (Ref. 5);
- 2) Hitch the upper side of the guide to the fixing bar (EN 50022);
- 3) Fully lean the unit to the fixing bar;
- 4) Release the locking button (Ref. 5) checking that the unit is securely mounted;
- 5) Make the power connection as described below.

### POWER CONNECTION

The power connection to the unit must be executed in compliance with instructions and warnings contained in the wiring diagram (see back of the sheet).

**MANUFACTURER SHALL NOT BE LIABLE FOR INJURIES TO PERSONS AND ANIMALS OR DAMAGES TO PROPERTIES DUE TO FAILURE TO COMPLY WITH INSTRUCTIONS AND WARNINGS OF THIS MANUAL.**

### OPERATION

Operation of the unit follows the system set-up selected with the management and take over software (Please follow instructions contained in the "PROGRAMMING MANUAL" included in the USB Flashpen you will find within the unit box).

### CE declaration of conformity

Manufacturer certifies that the unit **EVE CONTROL UNIT ECUB1/ECUP1** S/N 10-00A-00001 to 10-00A-00100  
Produce of: 2010  
conforms with the following directives:  
LVD 2006/95/CE - EMC 2004/108/CE  
and with the following standards (when applicable):  
EN 55022 (2006) + A1 (2007)  
EN 61000-3-2 (2006)  
EN 61000-3-3 (2008)  
EN 55024 (1998) + A1 (2001) + A2 (2003)  
EN 60950-1 (2006)

01/01/2010 Dott. Ing. Luca Carletti

### WARRANTY

The warranty is valid 12 (twelve) months from the date of sale and expires in the event the unit is misused and/or in a way different from what instructions and warnings contained in this manual require.

Manufacturer shall not be liable for damages due to full or partial failure of the automation system for possible inherent defects of the unit.

When a defect is reported the manufacturer informs about collection and substitution and/or repair of the unit. The manufacturer reserves the right to verify failure reasons.

### DISPOSAL

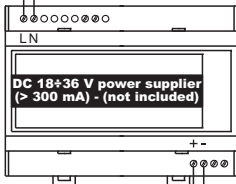
All the components of the unit must be identified in compliance with the definitions of the EWC (European Waste Catalogue) CODES and disposed in full respect of the local environmental requirements.

## CONNECTION WIRING DIAGRAM

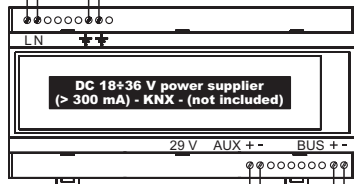
### “Standard” power supplier

### “KNX” power supplier ®

AC 230 V



AC 230 V



**! TO BE INSTALLED**



Cable included



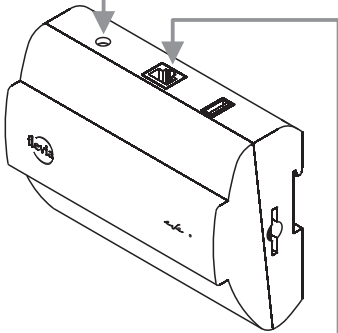
**! TO BE INSTALLED**



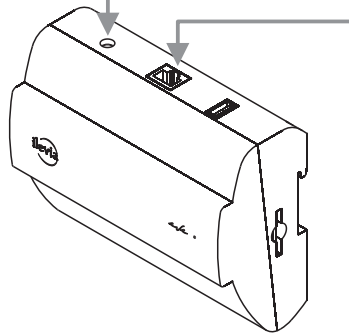
Cable included



Bus Cable (not included)



Ethernet Cable (not included)



Ethernet Cable (not included)



## IMPORTANT WARNINGS



IT IS MANDATORY THAT INSTALLATION AND CONFIGURATION OF THE UNIT CAN ONLY BE EXECUTED BY QUALIFIED PERSONNEL (WITH TECHNICAL AND PROFESSIONAL REQUIREMENTS PROVIDED BY LAW) ADHERING TO INSTRUCTIONS AND WARNINGS HEREIN DESCRIBED. MANUFACTURER SHALL NOT BE LIABLE FOR FAILURES AND MISOPERATION OF THE UNIT DUE TO A WRONG ELECTRICAL WIRING OR OVERVOLTAGES (PLEASE REFER TO SPECIFICATIONS).



IT IS MANDATORY TO INSTALL, AT THE OUTPUT OF THE POWER SUPPLIER (REFER TO WIRING DIAGRAM), A DELAY FUSE RATED 1 A.

IT IS MANDATORY THAT THE MAINS TO WHICH THE UNIT IS CONNECTED MEET THE CURRENT FEATURES OF THE SPECIFICATIONS AND THE LAW LOCAL REQUIREMENTS.



IT IS MANDATORY THAT THE POWER SUPPLIER AND THE SWITCH ETHERNET (NOT INCLUDED) AND WHATEVER ELECTRICAL MATERIAL USED FOR THE CONNECTION IS APPROPRIATE TO THE USE, MARKED "CE" AND COMPLYING TO THE LAW LOCAL REQUIREMENTS..



THE USE OF THE UNIT WITHIN ROOMS WITH POTENTIALLY EXPLOSIVE ATMOSPHERE AND/OR IN THE PRESENCE OF BURNING POWDERS (E.G. WOOD POWDER/SAWDUST, FLOUR, SUGAR AND GRAIN), IS PROHIBITED.



DO NOT OPEN, TAMPER WITH AND/OR DISMANTLE THE BODY OF THE UNIT. THIS COULD CAUSE THE WARRANTY TO EXPIRE AND THE UNIT WORKING INCORRECTLY AND UNSAFELY.

### EVE CONTROL UNIT



#### TRANSLATION OF THE ORIGINAL INSTRUCTIONS

Code	Issue	Revision
M00001	01.01.2010	00